

TECH TIPS

MODELS 410S, 612 & 1012

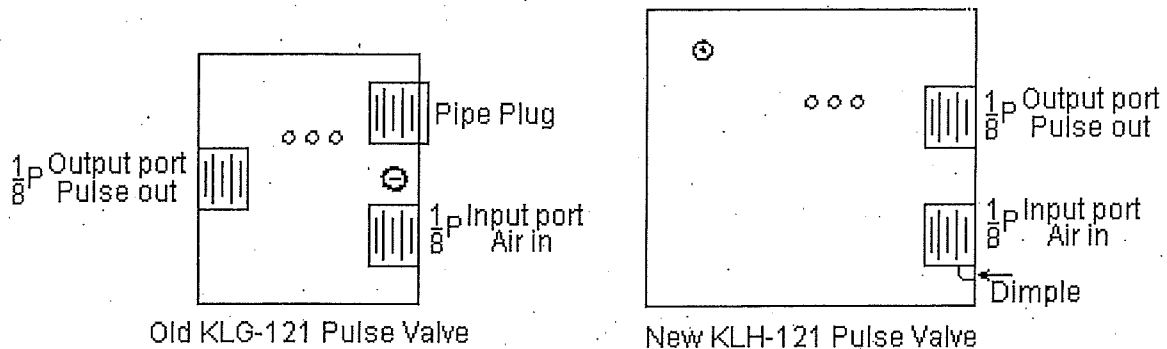
BACHMAN PULSE (One Shot) VALVE - UPGRADE

Since the beginning of Upcut Saw production in 1996, we have used the Bachman KLG-121 Pulse Valve. Now, in 2020, the KLG-121 has been discontinued. It has been replaced with the KLH-121 Pulse Valve.

The function remains the same. It delivers one shot of air to the Logic Valve "A211PD" pilot port after the swing switch pressurizes the KLH-121 pulse valve input port. This is what resets the system for the next cut.

Differences between the old KLG-121 & the new KLH-121:

1. The new KLH-121 is slight larger at 1-11/16" x 1-1/2". The thickness (15/16") remains the same as the old pulse valve.
2. Where the old KLG-121 had ports on opposite sides, the new KLH-121 has both Air-In & Pulse-Out ports on the same side. The port size remains 1/8" taper pipe. The mounting hole location has also changed.
3. The Air-In port has a 3/32" dimple drilled next to it.
4. We will continue to use the 1/8" 90-degree tubing fittings.



(See also Tech Tips - Testing Bachman One-Shot Valve)